

Modern technology in punching machines

Leader in manufacturing

GEKA machines are manufactured in modern facilities assigned exclusively for the production of shearing and punching machines.

The optimization of these production systems together with the performance obtained are to the advantage of the future users of **GEKA** machines and we look forward to counting you among them.

Leader in conception

GEKA hydraulic punching machines have been designed by highly experienced engineers with the support of powerful CAD CAM equipments and have been finished taking into account the suggestions of some of more than 25.000 users of **GEKA** punching and shearing machines. Our most sincere gratitude to all these people who cooperate in the continuous improvement of our quality, making possible that our **GEKA** punching machines, **PUMA**, models can offer the following features:

- Technically dimensioned bed.
- Cylinder with extra guide.
- Head with a strong and accurate system in order to avoid distortions.
- Progressive centering of tool.
- Rapid tool-change.
- Safety guards
- Free room for mounting special equipments.
- Excellent working speed.
- A great variety of standard and special optional equipments for a wide range of applications

NEIMAN MACHINERY SALES INC.

12-395 HARRY WALKER PARKWAY N., NEWMARKET, ONTARIO L3Y7B3

e-mail: sales@neimanmachinery.com

www.neimanmachinery.com

800.898.4106



Leader in service

MAQUINARIA **GEKA** has developed a specific department for designing and producing the special equipments demanded for making different tasks, according to the users requirements.

This professional advice and design service answers for the performance and output of GEKA machines when special applications are required.



Special attachments



1



2



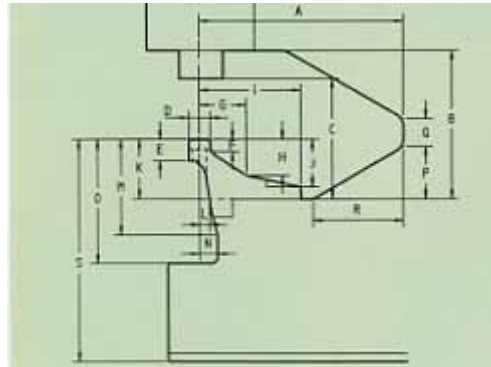
Knowing the universality of **PUMA** punching machines, **GEKA** has a complete range of optional equipment. For further information please ask for the accessories catalogue:

1. Multistop table
2. Punching equipment for larger diameters
3. CNC gauge table Semi Paxy 1000



Conscientes de la universalidad de las punzonadoras **PUMA**, **GEKA** dispone de una gama completa de equipos opcionales. Para una mayor información solicite el catálogo de accesorios:

- Mesa multitope
- Equipo de punzonado de diámetros mayores.
- Mesa Semi Paxy 1000 CNC



MODELS		A	B	C	D	E	F	G	H	I	J	K	L	M	N	O	P	Q	R	S
PUMA 55	S	500	340	270	65	55	33	120.5	81	233.5	81	137	25	231	45	237	102	78	185	1060
	SD	750	340	270	65	55	33	120.5	81	233.5	81	137	25	231	45	327	102	78	185	810
PUMA 80	S	510	370	300	65	62	31	123	89	253.5	89	144	25	234	45	304	130	70	234	1094
	SD	750	370	300	65	62	31	123	89	253.5	89	144	25	234	45	304	130	70	278	1194
PUMA 110	S	500	420	350	79	79	40	140.5	96	267	96	161	27	326	47	461	95	125	100	991
	SD	750	420	350	79	79	40	140.5	96	267	96	161	27	326	47	461	95	125	100	1066
PUMA 165	S	510	450	380	85	79	35	158	104	430	160	200	25	372	45	450	0	240	0	1060
	SD	760	450	380	85	79	35	158	104	430	160	200	25	372	45	450	141	98	245	1060
PUMA 220	S	510	450	375	85	79	33	162	100	435	151	198	30	-	30	483	0	330	0	1013
	SD	800	450	375	85	79	33	162	100	435	151	198	30	-	30	483	125	200	216	1013

Range of PUMA punching machines

5 PUMA models

2 Versions of every model: standard throat and deep throat.

- Machines driven by a vertical travelling cylinder and with special guiding
- Rapid tool change.
- Wide punching table with millimetre stops.



PUMA 55-500

In mm.s

Punching power 550 KN

Max.capacity : $\varnothing 40 \times 10$ mm.
 $\square 28 \times 11$ mm.

Throat : 500mm.

In inches

Punching power 550 KN

Max.capacity : $\varnothing 1 \frac{9}{16} \times \frac{3}{8}$ "
 $\square 1 \frac{1}{8} \times \frac{7}{16}$ "

Throat : 20 "



PUMA 80/750

In mm.s

Punching power 800 KN
Ø40 x 14 mm.
Max.capacity : Ø24 x 24 mm.
□ 28 x 16 mm.
Throat: 750mm.

In inches

Punching power 800 KN
Ø1 9/16" x 9/16"
Max.capacity : Ø 1" x 1"
□ 1 1/8" x 5/8"
Throat : 29 1/2 "

PUMA 165/500**In mm.s**

Punching power 1650 KN
Ø40 x 30 mm.
Max.capacity : Ø34 x 34 mm.
□ 28 x 28 mm.
Throat: 500mm.

In inches

Punching power 1650 KN
Ø1 9/16" x 3/16"
Max.capacity : Ø 15/16" x 15/16"
□ 1 1/8" x 1/8"
Throat : 20 "

**Rational design**

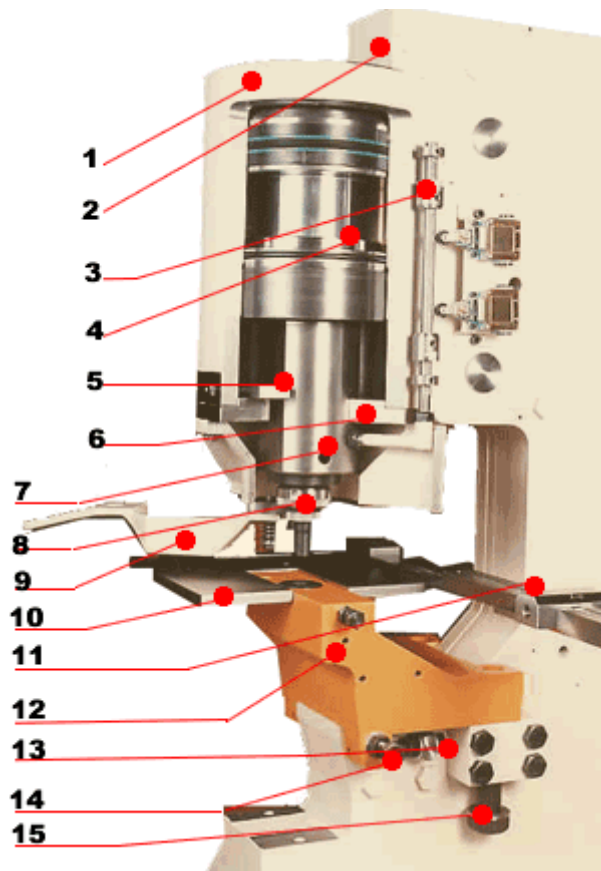
Solid hydraulic equipment fitted with components of the best international brands, and with maintenance and service facilities all over the world.

Important points

PUNCHING

The use of a separate cylinder allows the establishment of an independent work station, offering large die space for the assembly of special tools.

1. PUMA double-acting sectionalized cylinder
2. Cylinder support
3. Stroke adjusting stop
4. Wide stroke for punching, bending, countersinking and forming
5. Ample adjustable guidance to avoid distortion
6. Extra guide to better absorb off-center loads and thus better protect hydraulic seals
7. Cylinder for special tooling fixing
8. Rapid tool-change
9. Adjustable punch stripper
10. Gauging table with millimetre scales
11. Positioning stop up to 500mm
12. Gooseneck die-holder for punching plates and sections
13. Bolts for front-to-back alignment
14. Bolts for left to right alignment
15. Bolt for mounting gooseneck die holder support block



Post sale service

GEKA has a complete network of concessionaries in over 50 countries who will endeavour to find a solution for all your punching problems, the maintenance of all existing equipment, and the supply of all spare parts, original punches and dies, etc. We are sure that their professional advice will be most helpful.

Hydraulic portable punching machine

MOD. "P.P.50"

CHARACTERISTICS

	In mm.s	In inches
Punching power	500 KN	500 Kn
Maximum capacity (GO)	Ø 27x13mm	Ø 1/16" x 1/2"
(PR)	Ø 40x9mm	Ø 9/16" x 3/8"
Maximum travel	30mm	1 3/16"
Throat	130mm	5 1/8"
Motor power	3KW	3KW
Stroke per minute	23	23
Net weight (GO)	355 Kgs	780 Lbs.
(PR)	415Kgs	910 Lbs.
Brut weight (GO)	480 Kgs	1055 Lbs.
(PR)	540 Kgs	1190 Lbs.
Dimensions with seaworthy packing included	1.1x0.9x155m	43"x35"x61"
Volume	1.53m3	54Ft.
SPECIAL ATTACHMENTS		
Large diameter punching (PR)	Ø 50x7mm	Ø 2" x 9/32"



CHARACTERISTICS OF HIDRAULIC PUNCHING MACHINES in mm.s					
	PUMA-55	PUMA-80	PUMA-110	PUMA-165	PUMA-220
Punching power KN.	550	800	1100	1650	2200
Maximum capacity mm.	Ø40x10	Ø40x14	Ø40x20	Ø40x30	Ø40x40
Throat mm	500 /750	510/750	500/750	510/ 760	510 /800
SECTION PUNCHING WITH GOOSENECK SUPPORT					
I on flange mm.	100-300	100-300	100-450	100-450	100-450
I on web mm.	100-500	100-500	100-500	120-500	120-500
U on flange mm.	100-300	100-300	120-400	120-400	120-400
U on web mm.	120-260	120-380	120-400	120-400	120-400
GENERAL FEATURES					
Motor power KW.	5	9	9	15	20
Strokes per minute with 20mm. Travel	37	40	28	28	25
Maximum travel mm.	60	70	80	100	100
Working height 500/750 mm.	1060/810	1094/1194	991/1066	1060/1060	1013/1013
Net weight 500/750 Kg.	1150/1885	1715/2115	3150/3970	4290/4525	5200/5500
Gross weight 500/750....Kg.	1320/2100	1925/2350	3400/4300	4700/5000	5700/6000
Volume 500/750mm ³	3,63/4,17	4,53/5,87	5,55/6,82	7,31/8,95	9,63/10
Volume with seaworthy 500m ³ packing 700 m ³	1,55x1,2x1,95 1,93x1,2x1,8	1,7x1,3x2,05 2,1x1,3x2,15	2,08x1,3x2,05 2,28x1,3x2,3	2,03x1,6x2,25 2,03x1,6x2,35	2,56x1,3x2,35 2,66x1,3x2,35
SPECIAL ATTACHMENT					
Tube notching mm.	60	60	60	60	60
Large diameter punching mm.	Ø100x4	Ø100x6	Ø100x8	Ø100x12	Ø100x16

